



OST22 - Operator Smart Touch

The OST22 enrich the Z32 CNC with a newly designed multitouch console, greatly adaptable, compact and friendly; easily controlled... by a finger touch!



Z32 CNC provides you:

- 32 digital axes
- 6 interpolation channels
- Teleservice
- Easy programming
- Dynamic RTCP for swiveling heads and tables, designed for turbines and molds

And much more...

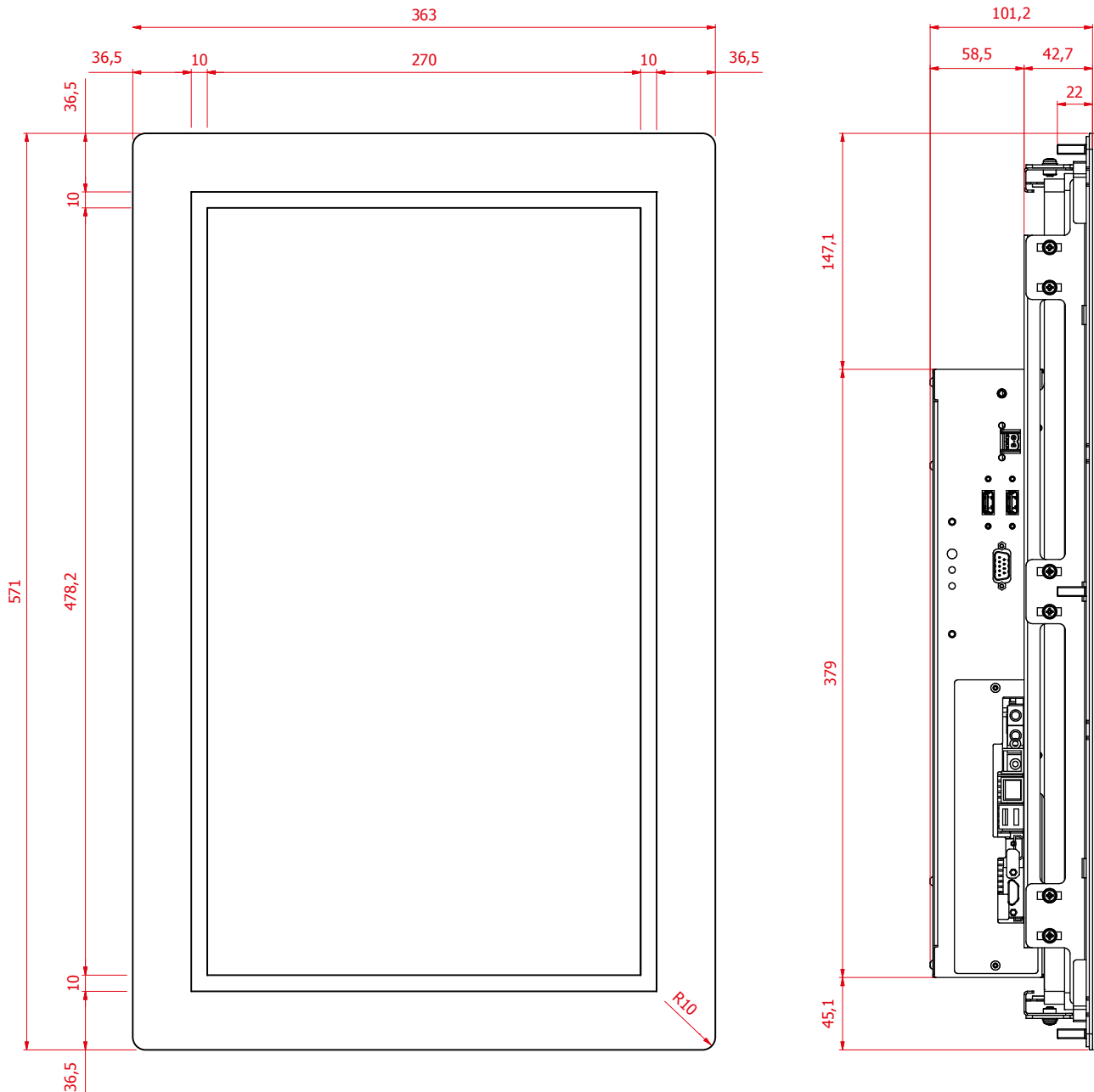


The 21.5" Touch Screen video unit delivers a unique operating feeling

- OST22 console with Windows® 10 OS and Z32 CNC installed inside the electrical cabinet
- 21,5" multitouch video panel
- 5mm tempered glass for a thorough protection
- Smartphone/Tablet operating feeling
- Self-configuring and customizable on-screen machine keyboard

OST22 - OPERATOR SMART TOUCH

OST22 TECHNICAL SPECIFICATIONS:



Display	1,5" TFT LED color display (1920x1080)
Memory	≥ 64 GB, SSD
keyboard	On-screen qwerty keyboard
Touch Screen	Capactive, high protection 5mm tempered glass
Peripherals	USB 2.0 ports
Ethernet	LAN 10M/100M/1 Gbps
Power supply	24 Vdc, 5 A
Dimensions mm	363 x 571 x 100 (LxHxW)
Weight kg	~8

All information contained herein have been accurately checked to be exact and reliable, however D.Electron doesn't assume any responsibility for possible inaccuracies. D.Electron reserves the right to make all modifications necessary to improve the performance and reliability of its products. DEP0918_OST22_EN October 2018