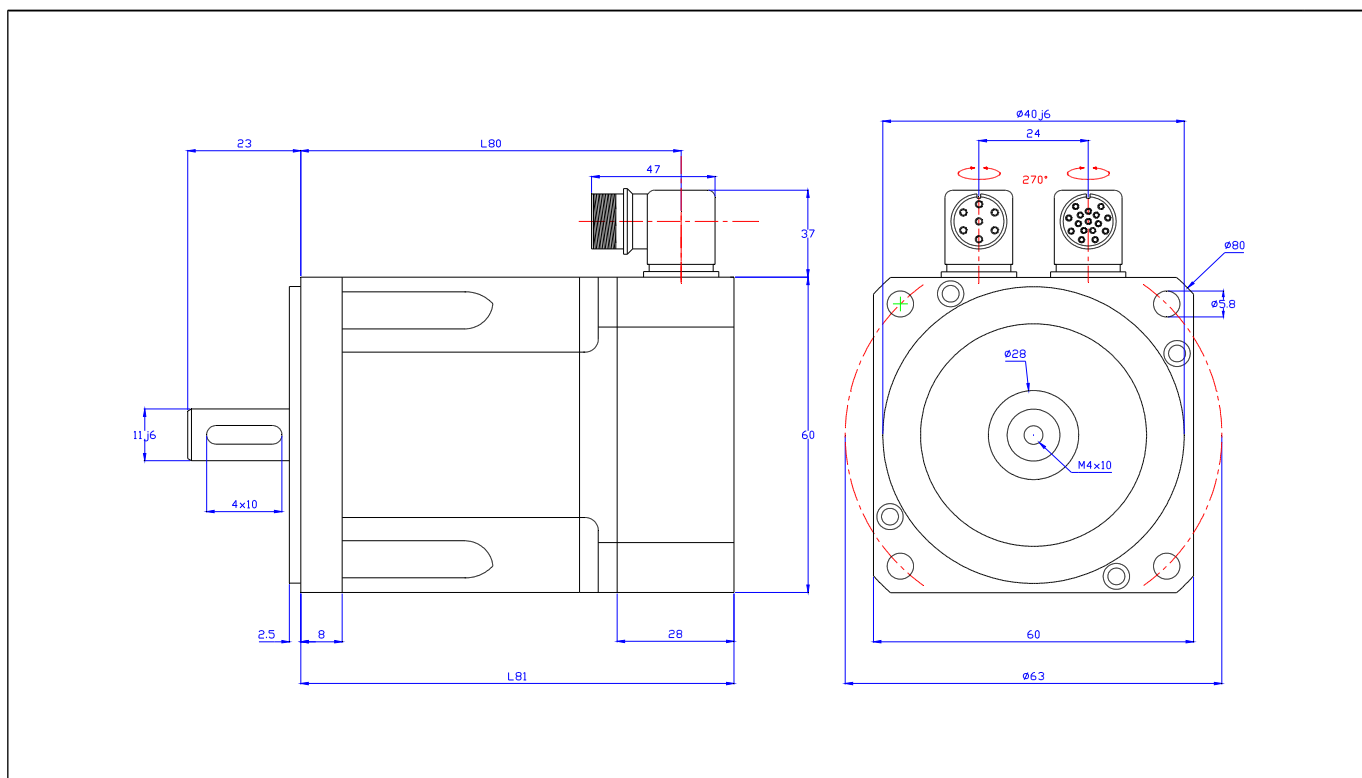


MOTOR DIMENSIONS

DSM Size 2



0.7 - 1.4 Nm



dimensions in mm

Motor type		DSM21		DSM22	
Feedback type		Encoder	Resolver	Encoder	Resolver
Without Brake	L80	90		118	
	L81	104		132	
With Brake	L80	120,4		148,4	
	L81	134,4		162,4	

All information contained herein have been accurately checked to be exact and reliable, however D.Electron doesn't assume any responsibility for possible inaccuracies. D.Electron reserves the right to make all modifications necessary to improve the performance and reliability of its products.