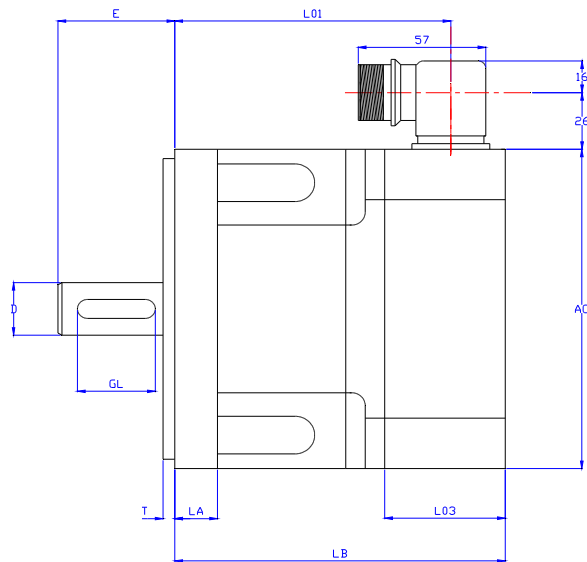
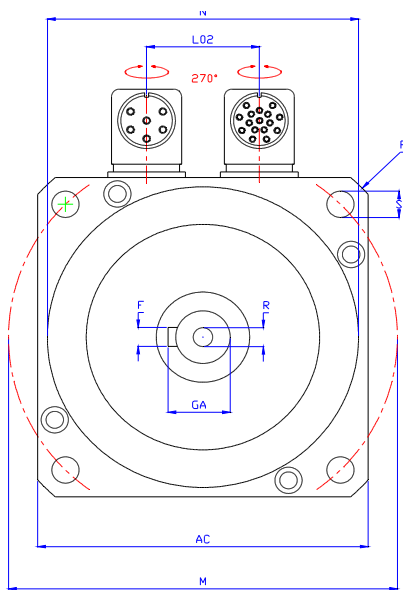


# MOTOR DIMENSIONS



Compact Size  
30 - 40 - 50 - 60



dimensions in mm

Motor Type		DSM30	DSM40	DSM50	DSM60
Without Brake	<b>AC</b>	<b>85</b>	<b>115</b>	<b>142</b>	<b>190</b>
	N <sub>6</sub>	80	110	130	180
	M	100	130	165	215
	P	114	155	190	244
	S	7	9	11	14
	T	3	3,5	3,5	4
	LA	11	12	15	16
	D <sub>6</sub>	14	19	24	28
	E	30	40	50	60
	R	M5x15	M6x16	M8x16	M10x20
	F	5	6	8	8
	GL	20	32	32	32
	GA	16	21,5	27	31
	<b>LB (*)</b>	<b>87</b>	<b>94</b>	<b>108,5</b>	<b>120</b>
With Brake	L01	73,5	80,5	95	106,5
	L02	29	40	40	47
	L03	26	26	27	27
	L01	101,5	124	134,5	143,5
	<b>LB (*)</b>	<b>115</b>	<b>137</b>	<b>148</b>	<b>157</b>

(\*) LB dimension is applicable only for Resolver or TTL encoder feedback. In case of BiSS or SinCos encoder, an additional length of 20mm should be considered.

All information contained herein have been accurately checked to be exact and reliable, however D.Electron doesn't assume any responsibility for possible inaccuracies. D.Electron reserves the right to make all modifications necessary to improve the performance and reliability of its products.